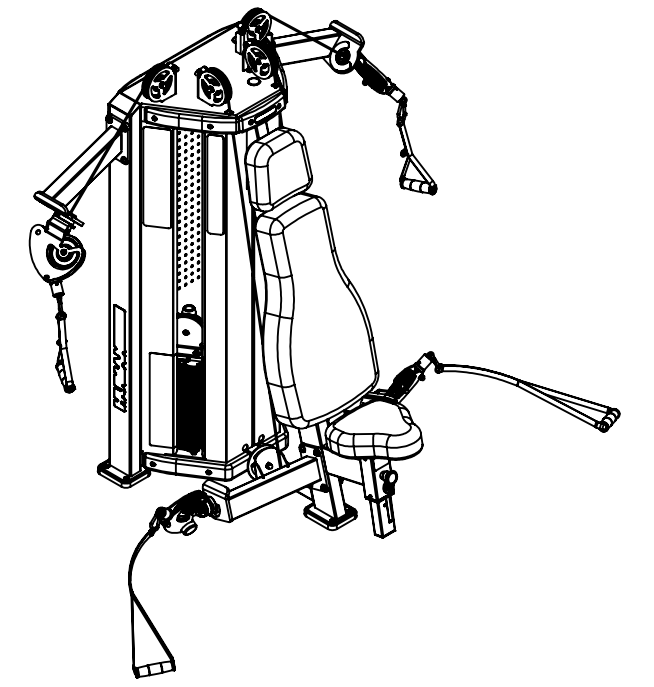
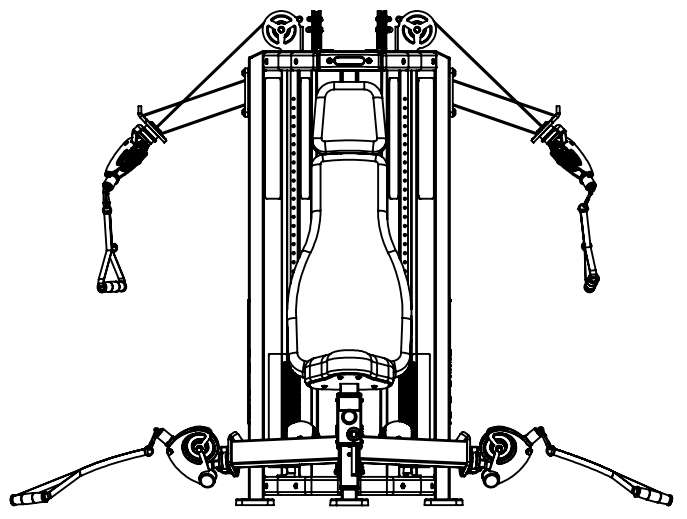
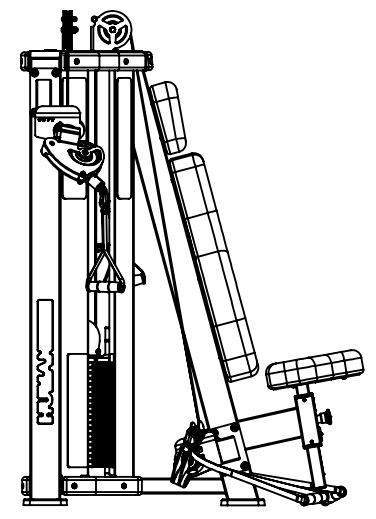
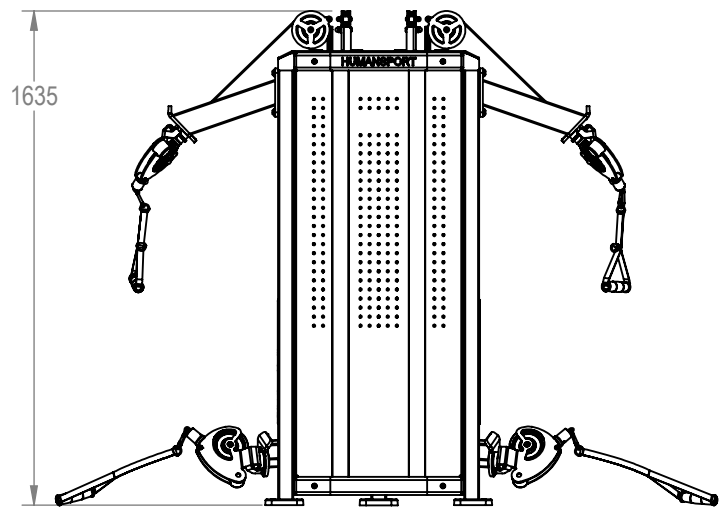
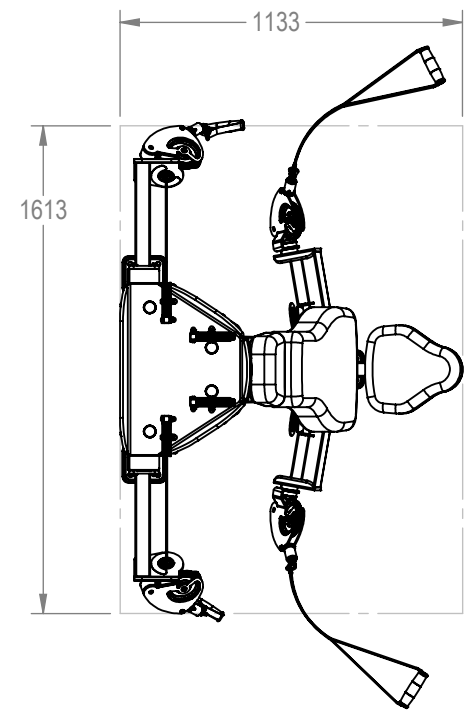


NOTES:

REVISION HISTORY				
REV	DATE	DESCRIPTION	ECO	BY
A	---	DOCUMENT RELEASE	---	---
B	8/29/2013	REDRAW BOM; CHANGE WEIGHT STACK TO LOCK N LOAD, CHANGE SHROUDS, CHANGE DFT STICKERS	14336	CRB



**DOCUMENT STATUS:  
RELEASE**

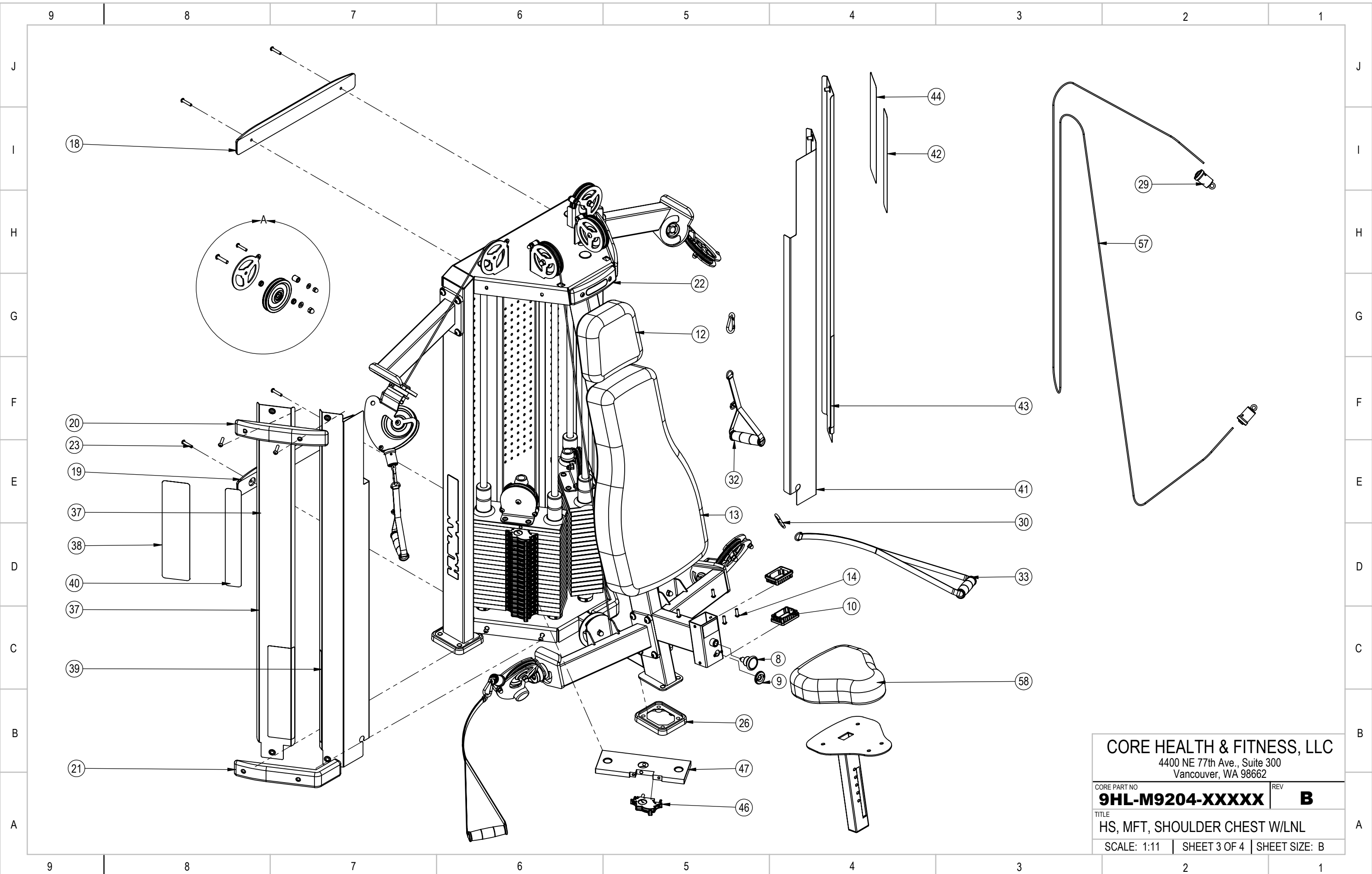
NOTICE OF PROPRIETARY INFORMATION  
THIS DOCUMENT SHALL NOT BE REPRODUCED NOR SHALL THE INFORMATION CONTAINED HEREIN BE USED BY OR DISCLOSED TO OTHER EXCEPT AS EXPRESSLY AUTHORIZED BY CORE HEALTH & FITNESS, LLC.

MATERIAL SEE BOM		THIRD ANGLE PROJECTION 		CORE HEALTH & FITNESS, LLC 4400 NE 77th Ave., Suite 300 Vancouver, WA 98662	
FINISH SEE BOM		DRAWN CRB	DATE 8/29/2013	CORE PART NO <b>9HL-M9204-XXXXX</b>	REV <b>B</b>
VENDOR:		P/N:		TITLE HS, MFT, SHOULDER CHEST W/LNL	
		U.O.M. MM		SCALE: 1:25	SHEET 1 OF 4   SHEET SIZE: B

9	8	7	6	5	4	3	2	1
ITEM NO.	PART NUMBER	DESCRIPTION	QTY.					
J	7	730-0135	SLEEVE	1				J
	8	730-0128	PIN, ASSY, SEAT, ADJ., HS	1				
	9	730-0134	COLLAR, POST ADJ., VIEW HOLE. HS	1				
	10	730-0135	SLEEVE, POST SHAFT, HS	2				
I	12	730-0141-X	PAD, HEAD REST, HS	1				I
	13	730-0125-X	PAD, BACK REST, LARGE, HS	1				
	18	020-6986-X	TRIM, WOOD, TOP, BACK, HS	1				
	19	020-6987-X	TRIM, WOOD, BOTTOM, BACK, HS	1				
	20	020-6983-X	TRIM, WOOD, UPPER, HS	2				
	21	020-6982-X	TRIM, WOOD, BOTTOM, HS	2				
H	22	020-6985-X	TRIM, WOOD, TOP, CENTER, HS	1				H
	23	730-3030	BOLT, GENERAL, HUMAN SPORT	18				
	24	730-3043	WASHER, PULLEY BRACKET, HUMAN SPORT	6				
	26	020-6988	PAD, RUBBER, FEET, HS	3				
	29	730-0129	BEARING, ROTATING, CLAMP	4				
G	31	730-0143	CLIP, METAL, HS	4				G
	32	730-1560	GRIP, HANDLE, MEDIUM, HS	2				
	33	730-0122	GRIP, HANDLE, EXTENDED, HS	2				
	34	050-2007	LABEL, HUMAN SPORT,41.1 X 5.0	2				
	36	050-2012	LABEL, PULL, HS	1				
F	37	730-3025	SHROUD, RIGHT, OUTSIDE	1				F
	38	730-3054	STICKER, SHROUD, OUTSIDE RIGHT, SHOULDER CHEST, HS	1				
	39	730-3026	SHROUD, RIGHT, INSIDE, ARM CRUNCH	1				
	40	730-3053	STICKER, SHROUD, INSIDE LEFT, SHOULDER CHEST, HS	1				
E	41	730-3021	INSIDE, LEFT, SHROUD, ARM CRUNCH, HUMAN SPORT	1				E
	42	730-3052	STICKER, SHROUD, INSIDE, RIGHT, SHOULDER CHEST, HS	1				
	43	730-3022	SHROUD, OUTSIDE, LEFT, HUMAN SPORT	1				
	44	730-3051	STICKER, SHROUD, OUTSIDE, RIGHT, SHOULDER CHEST, HS	1				
	46	731-1423-KT	KIT,ASSY,SWITCH,LNL,STRAIGHT	38				
D	47	731-0101	PLATE,WEIGHT,5Kg,18mm	38				D
	49	730-0142	PULLEY, ASSY, HS	4				
	50	730-3035	SAPCER PULLEY BEARING, HUMAN SPORT	8				
	51	730-3031	OUTER BRACKET, PULLEY, HUMAN SPORT	4				
C	52	730-3032	SPACER, PULLEY BRACKET, HUMAN SPORT	4				C
	53	730-3020	PULLEY BOLT, HUMAN SPORT	4				
	54	120-3301	WASHER, M10	4				
	55	730-3033	ACORN NUT, GENERAL, HUMAN SPORT	4				
	56	730-3034	ACORN NUT, PULLEY BOLT, HUMAN SPORT	4				
B	57	130-1751	CABLE, 6.5 METERS, HS	2				B
	58	730-0123-X	SEAT, PAD, HS	1				

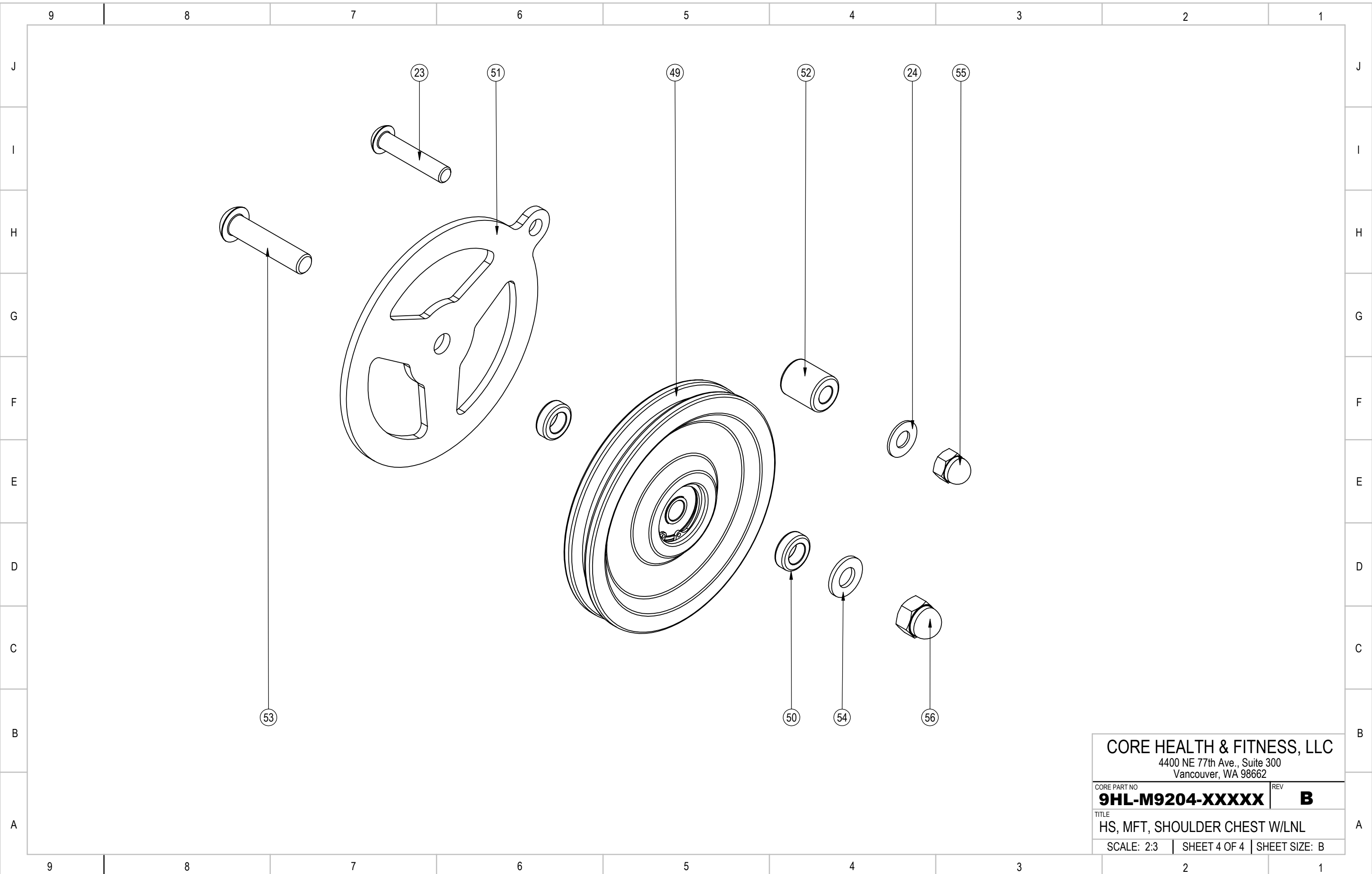
**CORE HEALTH & FITNESS, LLC**  
4400 NE 77th Ave., Suite 300  
Vancouver, WA 98662

CORE PART NO	<b>9HL-M9204-XXXXX</b>	REV	<b>B</b>
TITLE	HS, MFT, SHOULDER CHEST W/LNL		
SCALE: 1:25	SHEET 2 OF 4	SHEET SIZE: B	



CORE HEALTH & FITNESS, LLC  
 4400 NE 77th Ave., Suite 300  
 Vancouver, WA 98662

CORE PART NO	REV
<b>9HL-M9204-XXXXX</b>	<b>B</b>
TITLE	
HS, MFT, SHOULDER CHEST W/LNL	
SCALE: 1:11	SHEET 3 OF 4   SHEET SIZE: B



CORE HEALTH & FITNESS, LLC  
 4400 NE 77th Ave., Suite 300  
 Vancouver, WA 98662

CORE PART NO	REV
<b>9HL-M9204-XXXXX</b>	<b>B</b>
TITLE	
HS, MFT, SHOULDER CHEST W/LNL	
SCALE: 2:3	SHEET 4 OF 4   SHEET SIZE: B